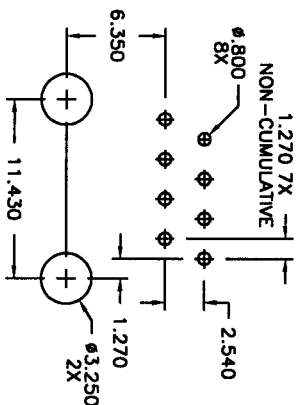


PRODUCT NO.  
71719-XYZLF

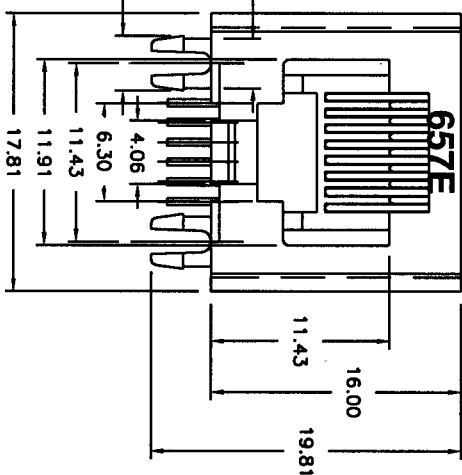
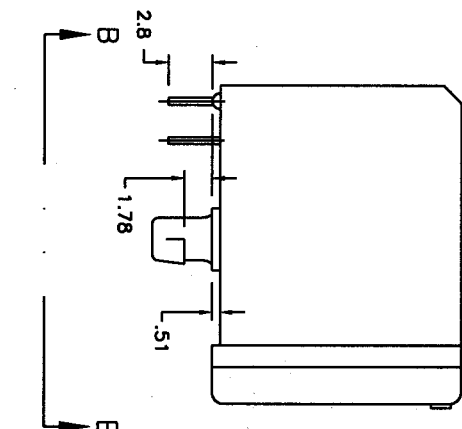
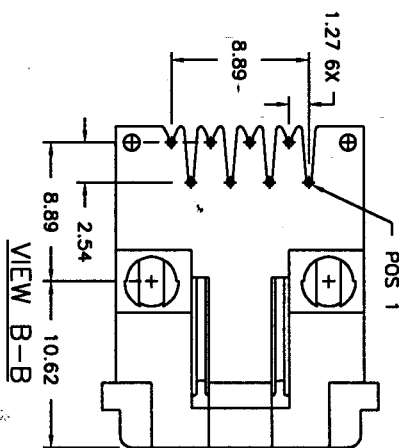
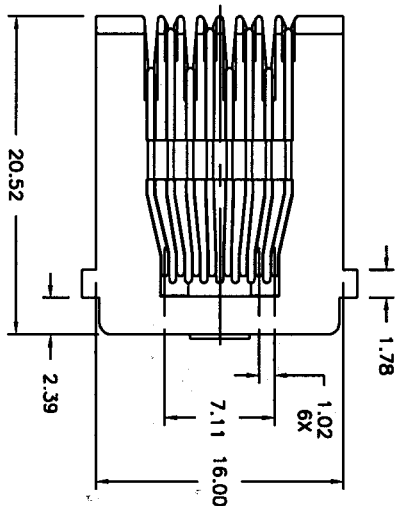
X	Y	Z
PLATING OPTION ⑨	NUMBER OF POSITIONS 2 LOADED POS 4,5	HOUSING OPTIONS 1 BLACK
0 - 30 GXT	4 LOADED POS 3,4,5,6	2 LT. GREY
5 - 50 AU	6 LOADED POS 2,3,4,5,6,7	3 NATURAL
	8 LOADED FULLY LOADED	



RECOMMENDED PCB LAYOUT

NOTES:

- FOR VISUAL, MECHANICAL, AND ELECTRICAL REQUIREMENTS SEE PRODUCT SPEC. 110-015
- HOUSING MAT'L: PBT 15% GLASS FILLED
- CONDUCTOR MAT'L: #46 PHOS. BRONZE PLATING: SEE TABLE: ALL OVER 100 \* NICKEL
- PACKAGING METHOD USE TUBE: SEE GES-14-164
- MATABLE PLUG: CONFORM TO FCC TYPE 623
- PART NUMBERS WITH LF IN THE END ARE LEAD FREE.
- THIS PRODUCT MEETS EUROPEAN UNION DIRECTIVES AN OTHER COUNTRY REGULATION AS DESCRIBED IN GS-22-008.
- THE HOUSING TEMPERATURE WITHSTAND EXPOSURE TO 260°C. PEAK TEMPERATURE FOR 15 SECONDS IN A WAVE SOLDER APPLICATION WITH A 5 MIN MINIMUM THICK CIRCUIT BOARD. SEE APPLICATION NOTES/PROCEDURES IF THEY ARE AVAILABLE.
- PLATING OPTIONS: MAY BE EITHER GOLD OR GXT PLATED AT MANUFACTURER'S OPTION.



mat'l. code	SEE NOTES	tolerances unless otherwise specified	CUSTOMER COPY	FCI	www.fciconnect.com
lfr	ecr no.	dr	date	line nr	XXXX.13
C	V61179	LP	8/22/96		
D	V61352	LP	9/9/96		XXXX.051
E	V61477	GMH	10/30/96	angles	0 ±Z
F	V61956	ERK	12/23/96	dr	5.00 ±0.008
G	V12202	BRH	8/31/01	engr	YBECOPOLSKY 8/31/95
H	V20370	JRV	2/21/02	chr	YBECOPOLSKY 3/21/96
J	M05-0066	ERE	3/4/09	uppl	YBECOPOLSKY 3/21/96
index	revision	sheet	1		

ACAD

PDM: Rev:J

STATUS:Released

code 22526

Printed: Mar 10, 2007